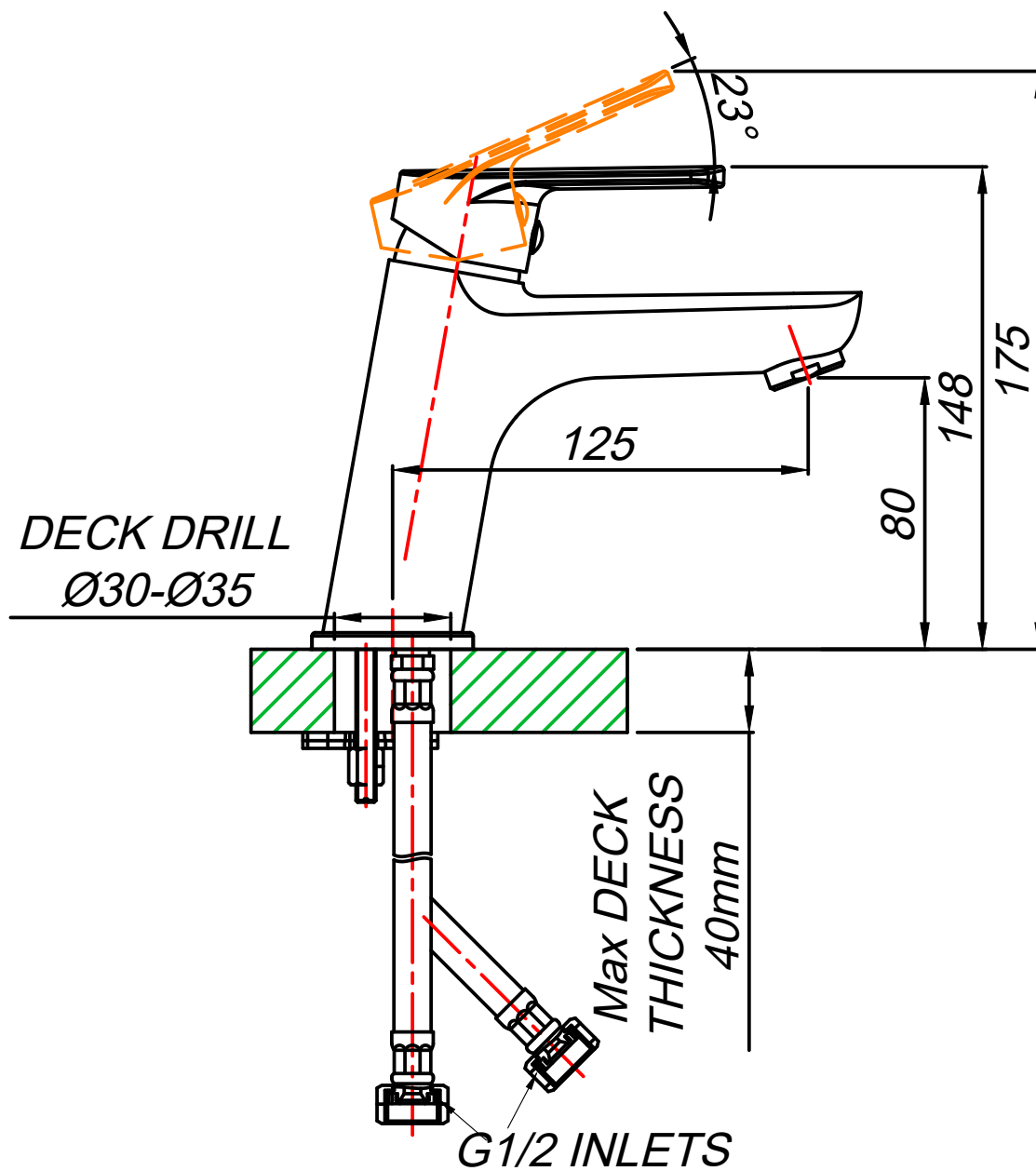


*ST00010/ST0B010
Basin Mixer*

Water pressure requirement:

Recommended 300kPa

Balanced not exceeding 600 kPa



*Total Tube Length: 400mm
Exposed Tube Length: 350mm*