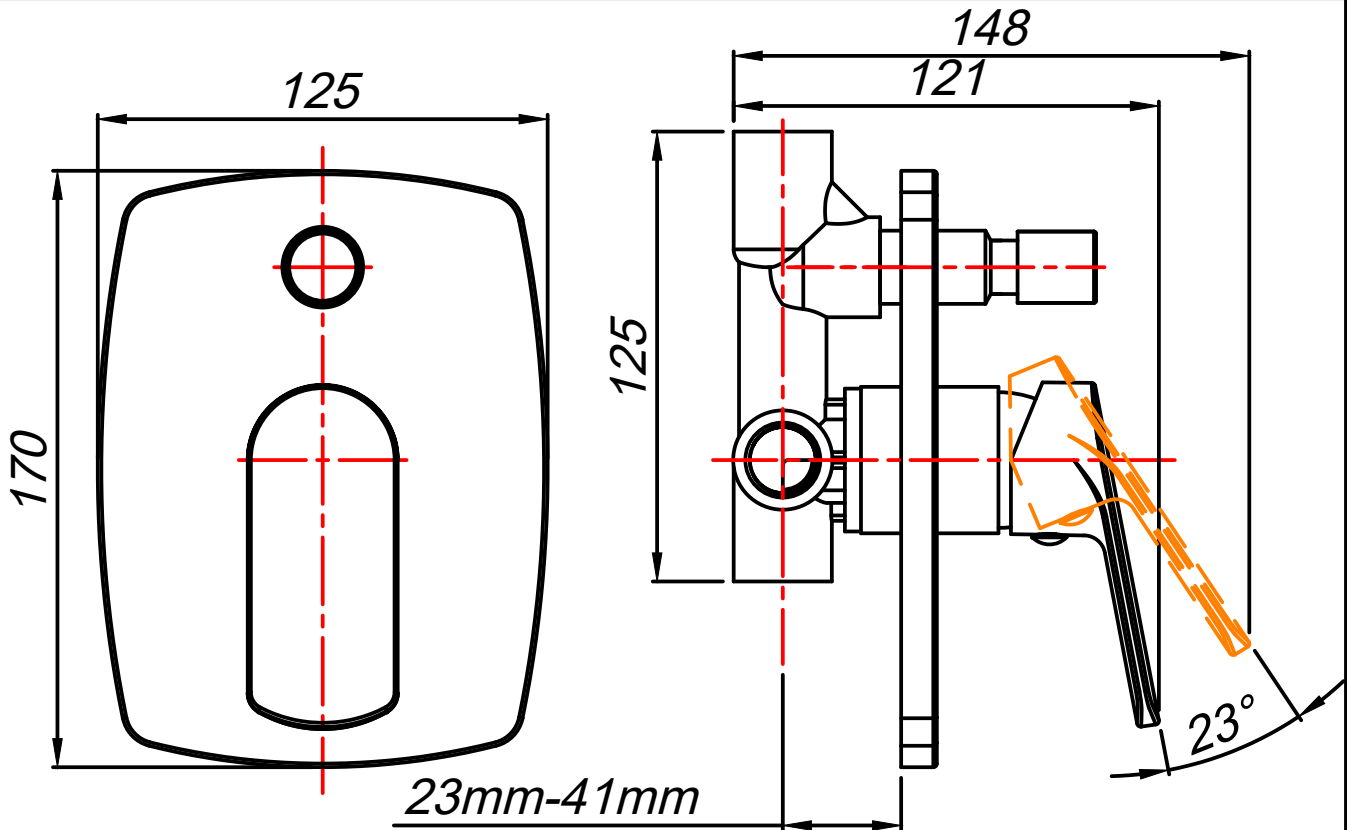


ST00040/ST0B040
Conc/Div Mixer

Water pressure requirement:

Recommended 300kPa

Balanced not exceeding 600 kPa



Outlet 1/2" Female
to Shower

