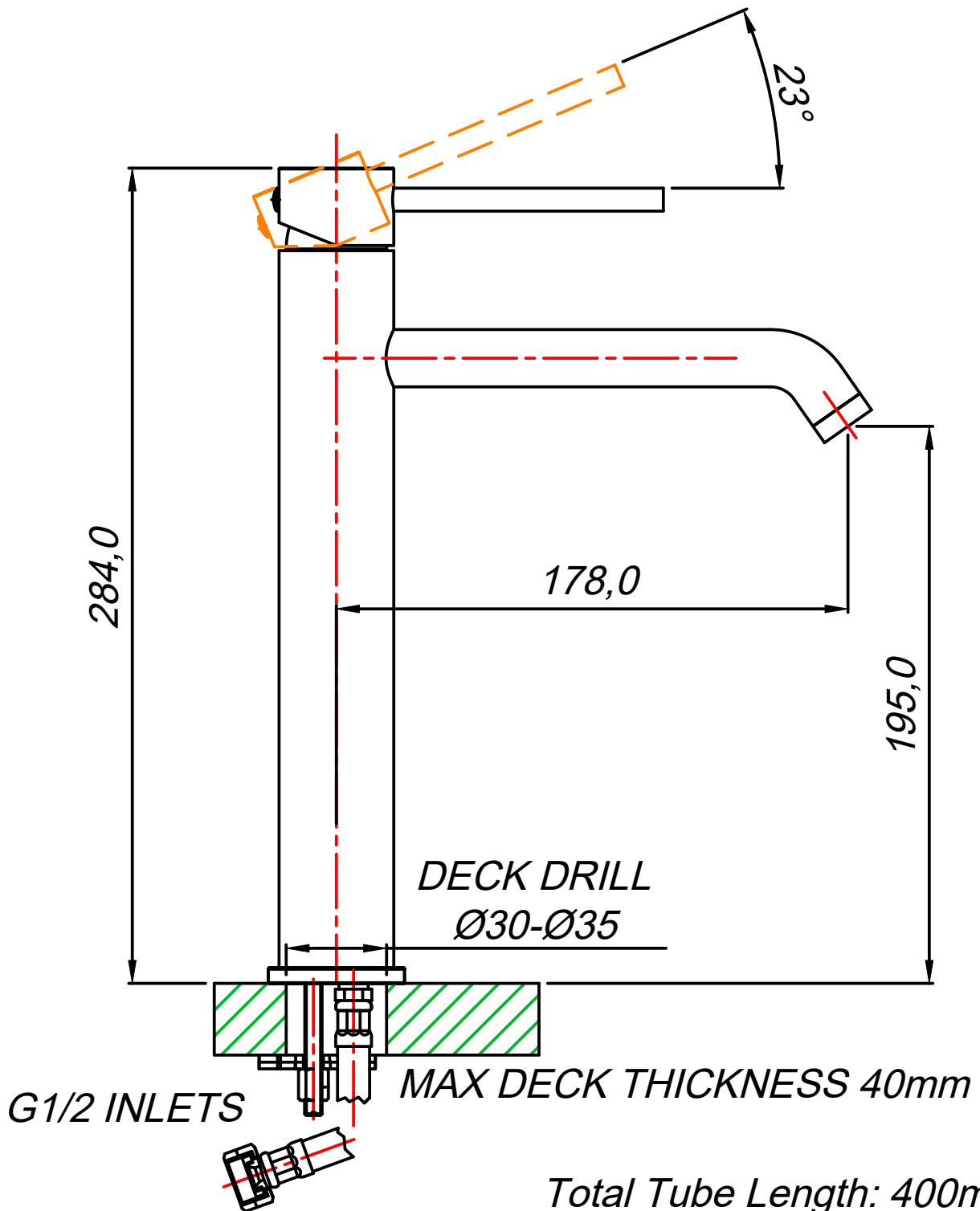


*NM0A012/NM0B012/NM0S012*  
*High Basin Mixer*

*Water pressure requirement:*

*Recommended 300kPa*

*Balanced not exceeding 600 kPa*



*Total Tube Length: 400mm*  
*Exposed Tube Length: 350mm*