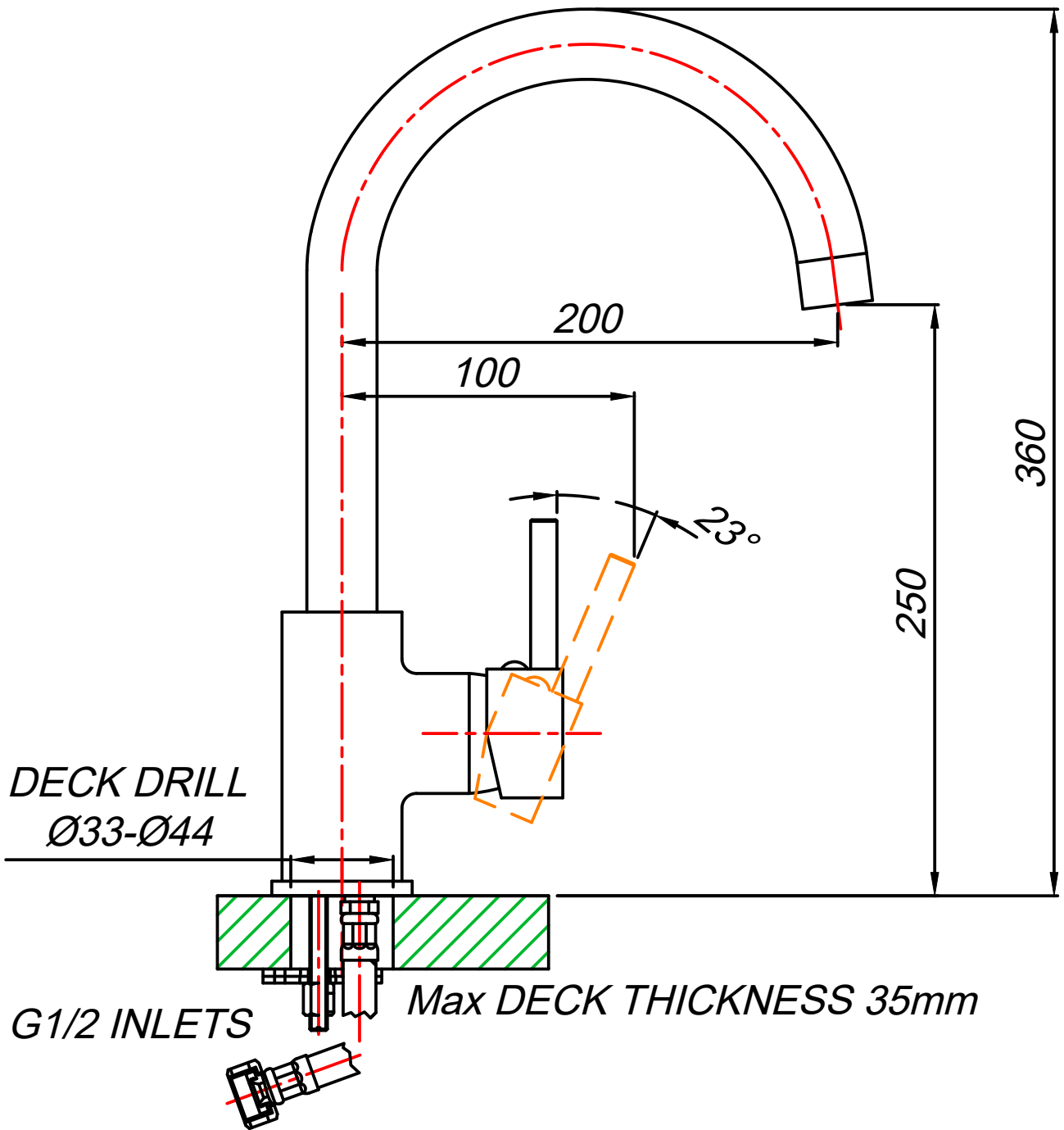


MT10019/MT1B019/MT1S019
Sink Mixer

Water pressure requirement:

Recommended 300kPa

Balanced not exceeding 600 kPa



DECK DRILL
Ø33-Ø44

G1/2 INLETS

Max DECK THICKNESS 35mm

Total Tube Length: 400mm
Exposed Tube Length: 350mm