

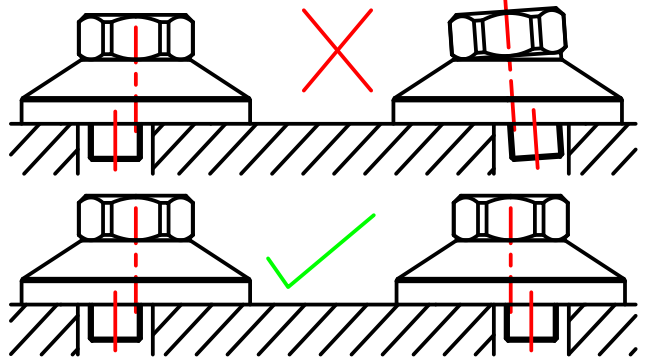
MD00022 W/T Sink Mixer

Water pressure requirement:

Recommended 300kPa

Balanced not exceeding 600 kPa

S-connections to be installed parallel and level to each other



ADJUSTABLE:

130-170

150

Ø62
G1/2

23

52

220

23°

137

182

